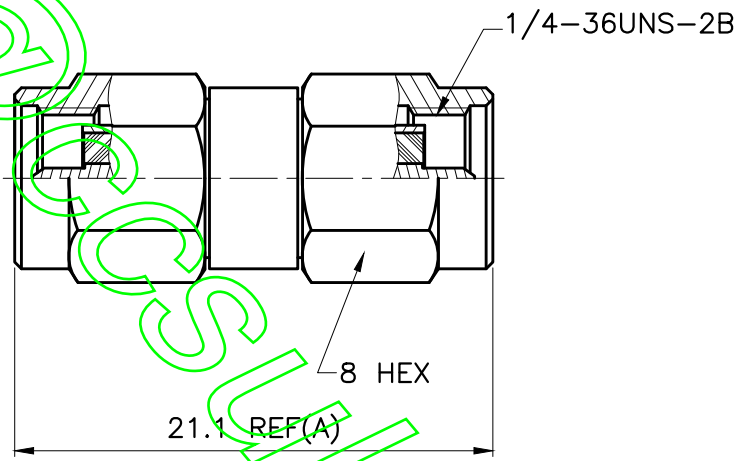


REVISIONS	
ISS	DESCRIPTION \ DATE

RoHS COMPLIANT



Frequency Range: 0-12.4 GHz



TITLE: SMA MALE TO SMA MALE		APRD:	UNLESS OTHERWISE SPECIFIED TOLERANCES 0.5-6 = ±0.2 >6-30 = ±0.4 >30-120 = ±0.6 >120-315 = ±1 >315-1000 = ±1.6 ANGLES = ±5°					
PART NO: SMAPPA50		CHKD:						
DRAWING NO: 029		DR:						
DATE: 01/18/08"	UNIT: mm							
SHEET: .	SCALE: 3/1							
NO.	DESCRIPTION	MATERIAL	FINISH					
	CONTACT PIN	BRASS	GOLD	KA/2005/10527 \	KA/2005/30993			
	INSULATOR	TEFLON	WHITE		KA/2005/50918			
	BODY	BRASS	GOLD	KA/2005/10527 \	KA/2005/30993			
					SGS REPORT NO			

ISO 9001 certificate